

Amfi-Top SolidSurface impact resistance test.

Scope: For testing as a sample are used a international standart **ISO 6603**. This test measures the ability of a solid surface sheet to resist chipping and cracking induced by impact from a falling dart.

Test apparatus:

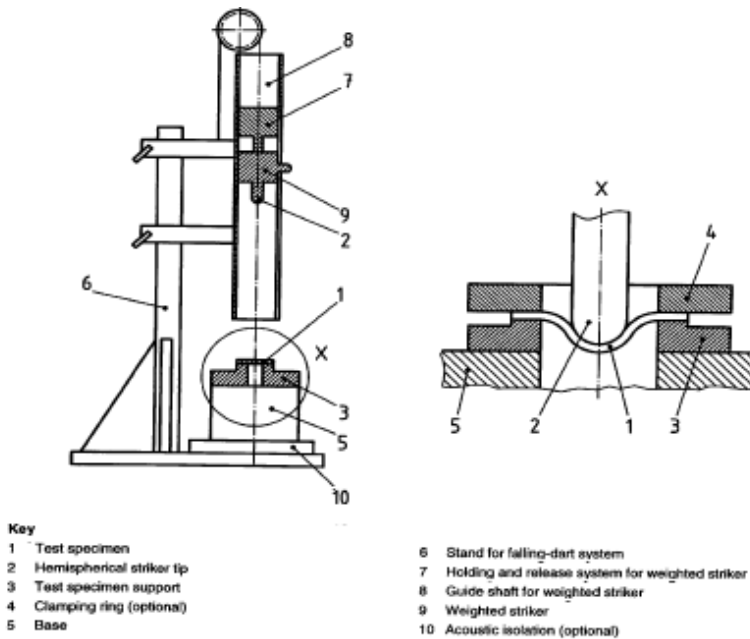
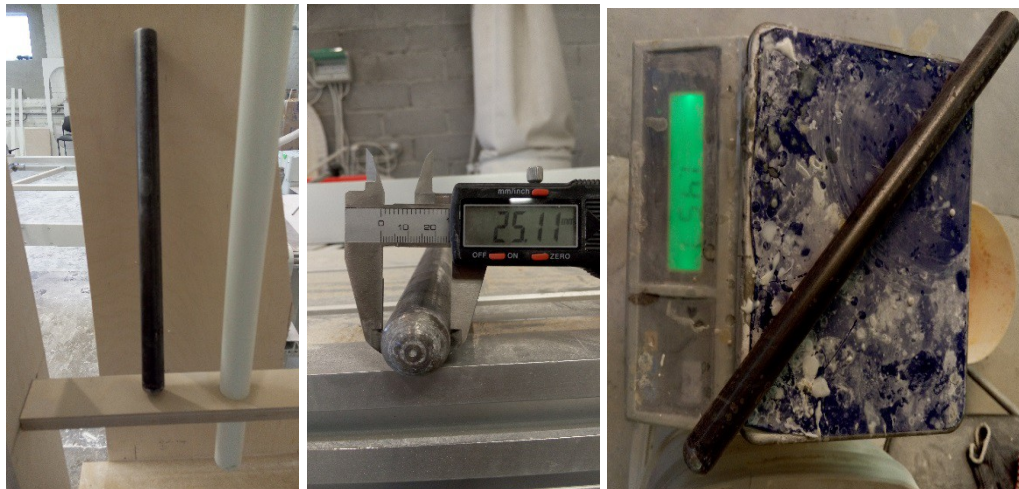


Figure 4 — Falling-dart system (example)
Falling dart system (example).



Our Falling dart system.



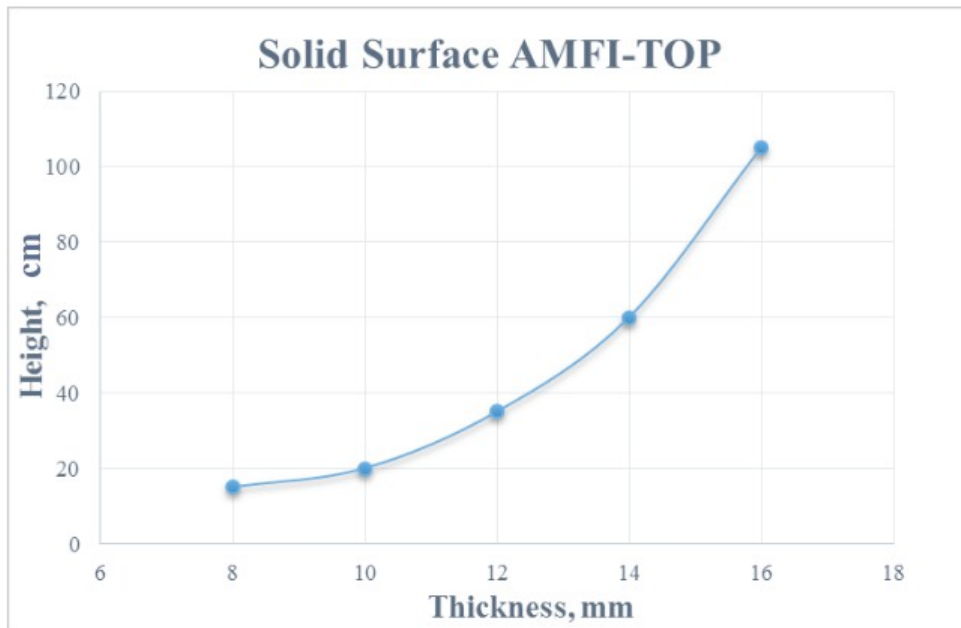
Striker: Diameter = 25.11mm weight = 1.46 kg.
 Test specimen dimensions are 100x100xB (mm). Where B is variable thickness value (8 – 16 mm) depending on measured sample thickness.

Test procedure:

In this method groups of 10 test specimens of particular thickness are tested. The specimens are tested adjusting a height at constant mass (1.46 kg). If the specimen don't crack after falling dart impact, than the test is passed. If specimen cracks, than test have been failed.

The height are increased each time by 5 cm until specimen fails. The result heigt is the one where all the specimens of particular thickness has passed.

Test results: Graph of results



01.09.2015.